

HIPPOCAMPE
Leisure wheelchair



**Instructions
for use and assembly**

SUMMARY

GET TO KNOW YOUR HIPPOCAMPE	4
MOUNTING THE WHEELS.....	5
ASSEMBLING THE PUSH BAR	5
ASSEMBLING THE RECLINING BACKREST.....	6
ASSEMBLING THE RECLINING AND ADJUSTABLE BACKREST	6
ASSEMBLING THE ARMRESTS.....	7
ASSEMBLY INSTRUCTIONS FOR THE HEADREST	8
ASSEMBLING THE HARNESS	9
ASSEMBLING THE BRAKES.....	9
INSTRUCTIONS LARGE BEACH WHEELS.....	10
ASSEMBLY OF BACK SKI.....	11

Get to know your Hippocampe

Congratulations! You have just acquired a Hippocampe...

The Hippocampe wheelchair, created and manufactured by Vipamat Technologie, allows you to go to the beach and seaside, go into the water and go swimming, follow forest trails and coastal paths, go around gardens and move about on the snow or on paths of packed snow.

It has been designed for people of restricted mobility of all ages regardless of their size or degree of mobility. The Hippocampe can be used alone or with an attendant and several accessories can be added: a Neoprene harness, headrest, adjustable armrests, adjustable backrest, parking brake, backrest bag, ski kit and transport bag.

A wider axle can be fitted to the wheelchair in order to increase the space between the seat and the wheels.

The Hippocampe is approved for a maximum user weight of 130kg

There are 4 sizes of wheelchair (S, M, L, XL). Only the frame length changes, the width of the seat is always 42cm.

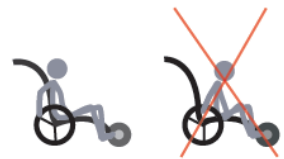
FIRST USE

As is the case with classic wheelchairs, there is a period of adaptation for using the Hippocampe.

The exterior wheel serves as a hand rim. The grip inside the rim provides better handling.

You can turn the Hippocampe:

- By forcing the front wheel to skid (to the right or left)
- By turning on 2 wheels alone or with help (with the attendant pushing down on the handle bar)



When entering water, the buoyancy of the front wheel means you will need to lean forward in order to remain stable on the Hippocampe.

Do not immerse the Hippocampe wheelchair must not go above the height of the rear axle.

An attendant will help you to ensure stability by holding the handlebar.

PRECAUTIONS FOR USE

Before any use of the wheelchair, verify that the wheels are correctly locked (by the clips), that the straps are suitably tightened and that the buckles are fastened.

The Hippocampe is designed for a maximum weight of 130kg.

The Hippocampe is not a boat. It allows entry into water up to the height of the seat and is not designed to float with the user in it.

Wearing a lifejacket is obligatory, as is use within a guarded swimming area.

Precaution on entering water: it is recommended that you lean forward. (The buoyancy of the front wheel can throw you off balance backwards.)

An attendant is required for entering water and swimming. Users must be pushed exclusively by capable adults. Watch out for the incoming tide, currents and shore breaks.

For wheelchairs not equipped with brakes we recommend the utmost caution on beaches and steep slipways. Do not use the Hippocampe when a wheel is punctured or flat. Using the Hippocampe with more than one person in it is prohibited. Standing up on the seat or the footrest guard is prohibited.

Modifying the structure of the wheelchair is prohibited. Avoid going under obstacles with the wheelchair. Avoid hand-braking on steep surfaces due to the risk of heating and injury. Do not move about on inclinations greater than 15%.

Do not attempt to clear obstacles larger than 10cm. The seat is designed not to catch fire (within 15 seconds) on contact with cigarettes or matches, allowing the user time to react. You must always be accompanied, especially for entering water, when you use a harness.

Strictly adhering to the recommendations and advice in this document is mandatory.

Rinsing the wheelchair: it is essential to rinse the wheelchair each time it is used saltwater as salt deposits can damage the mechanisms, mainly the push bar and the wheel axles which must be removed after each use.

GUARANTEE

This product is guaranteed 2 years for parts and labour starting from the date of purchase (as proved by the sales receipt). The guarantee consists in replacing defective parts. This guarantee does not apply when the product is used for unauthorized purposes and does not take into consideration wear of parts due to use of the wheelchair.

CAUTION!

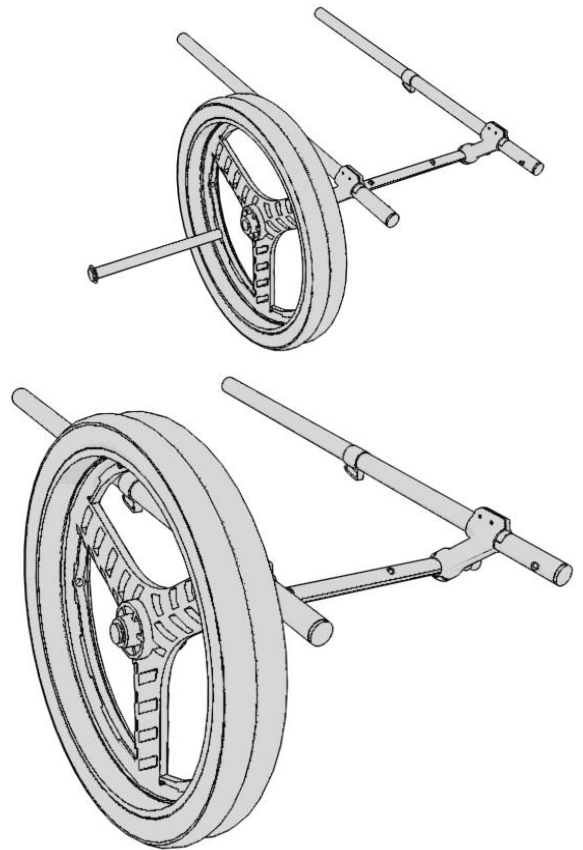
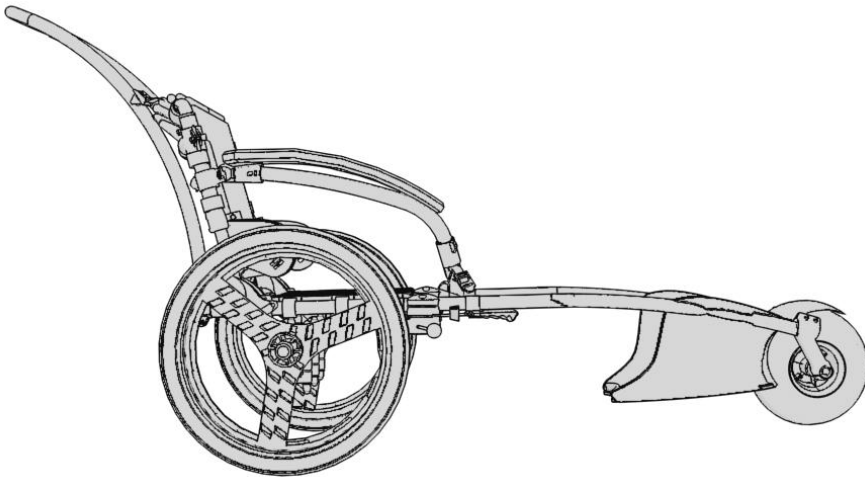
The Hippocampe wheelchair is water-resistant; its aluminium, plastic and stainless steel components come from the nautical and bicycle industries. But, like all materials that come into contact with seawater (wetsuits, kayaks, boat engines, etc.), the Hippocampe must be rinsed after any use.

Without this regular maintenance, salt deposits can damage its structure.

The Vipamat company denies any responsibility concerning damage due to such neglect.

Mounting the wheels

1. Insert the end of the wheel axle into the frame axle
2. Press the clip and guide the wheel axle to the end of the frame axle
(Watch your fingers)
3. Turn the wheel axle and guide the clip out of the hole by turning the wheel axle.



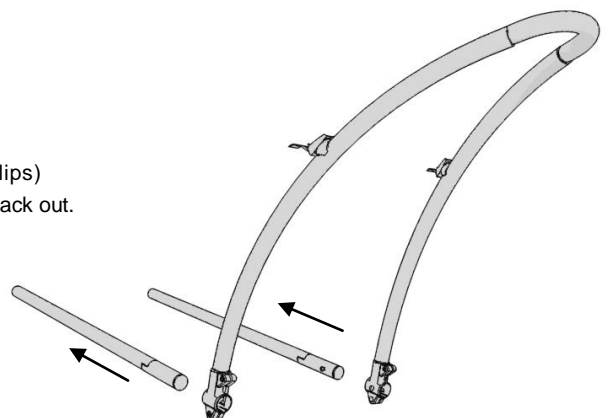
Advice on inflating the wheels:

You can change the tyre pressure from 0.5 bar for soft sand to 1.5 bar for solid ground (with a bike pump).

The low-pressure front wheel can be inflated or deflated with an inflating needle (for balls)

Assembling the push bar

1. Insert the 2 joint parts into the extremities of the frame tubes (up to the clips)
2. Press the 2 clips simultaneously, while pushing the handlebar, until they come back out.



Assembling the reclining backrest

1. Position the backrest on the frame tubes
2. Secure the backrest to the frame by fastening the bolts (a) with the Allen key (Insert the nut (b) in the corresponding indentation)

Securing the seat

3. Slide the 2 vertical straps through the buckles and tighten (figure 1)
4. Buckle the 2 wide horizontal straps and tighten well (figure 2)
5. Buckle the small diagonal side straps, pulling them around the tube of the backrest

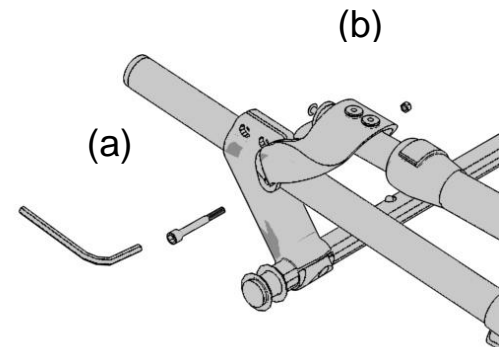


figure 1

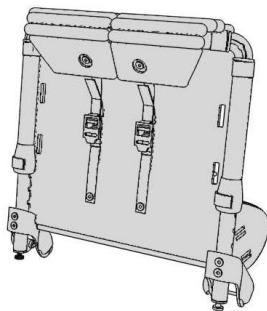


figure 2

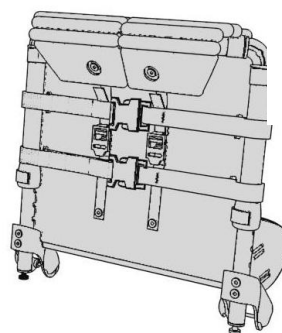
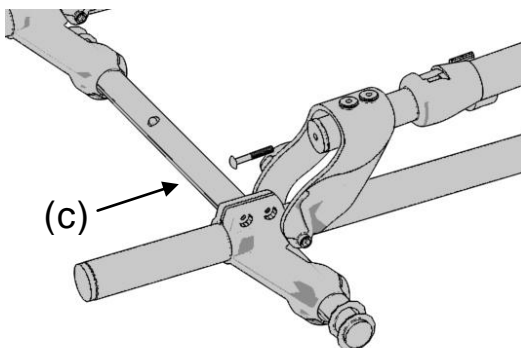


figure 3



- (a) CHC M6 X 45 A2
- (b) M6 A2
- (c) Vis RD M8X40

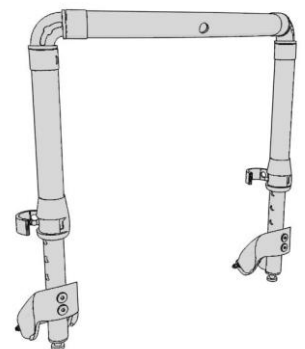
Adjusting the inclination of the backrest: To adjust the inclination, adjust the tightness of the 2 screws (c) at the base of the backrest. (figure 3)

Assembling the reclining and adjustable backrest

—> See "Assembling the reclining backrest" instructions

To adjust the height of the adjustable backrest:

1. Unfasten the 2 horizontal buckles on the back of the backrest and loosen the vertical straps.
2. Open the push locks on the backrest tubes
3. Position the backrest at the desired height and close the push locks on the positioning holes
4. Buckle the horizontal straps and tighten the vertical straps.

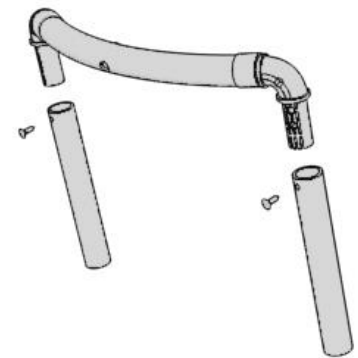


Assembling the armrests

Figure 4

Disassembling the backrest

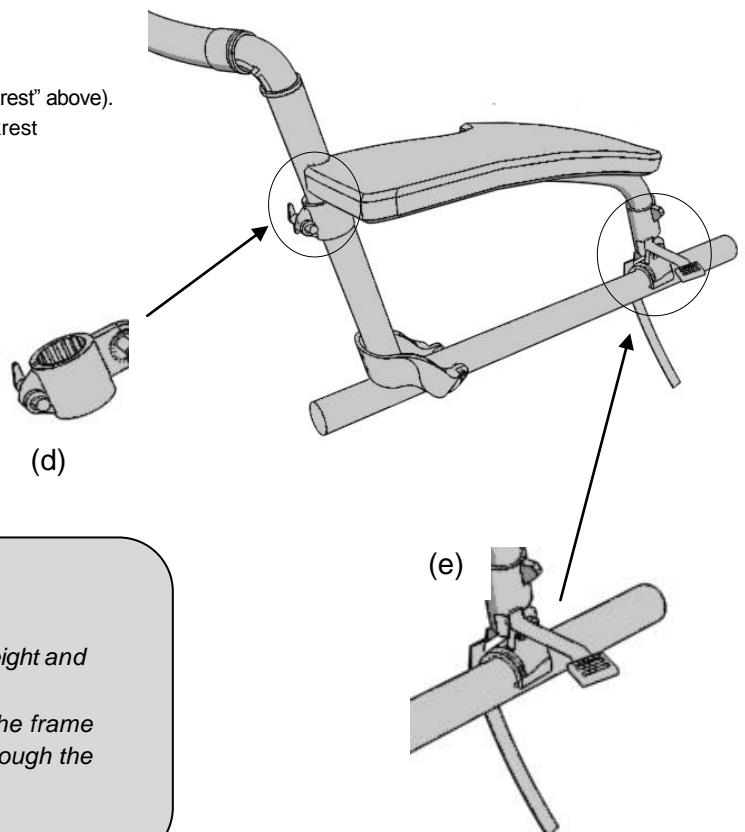
1. Lower the collars by turning them
2. Unscrew the 4 screws with a Phillips or socket screwdriver) (Figure 4)
3. Separate the top of the backrest from the two arms and remove the collars



Assembling the armrests

The armrests are composed of a left and right armrest, both of which are moveable, and 2 (d) parts (fixed to the backrest once assembled).

1. Begin by disassembling the backrest (Part "Disassembling the backrest" above).
2. Insert the parts (d) from the armrests into the arms of the backrest
The butterfly nuts must be inside the backrest.
3. Reposition the collars on the arms of the backrest
4. Screw the 2 screws back in (Figure 4)
5. Cover the 4 screws with the collars



Adjustment:

To adjust height, position the armrest at the desired height and tighten the 2 wing nuts (d).

Then just put the back part (e) of the armrests on the frame tube. Wrap the small strap around the tube, put it through the buckle and tighten.

Assembly instructions for the headrest

Caution: the new version of the headrest (V3) has to be fixed after the armrests

Assembling the headrest

The headrest is composed of 2 parts:

- the removable part (headrest + the articulated element) (f)
- the fix part (vertical tube + the bend of the horizontal tube) (g)

1. Begin by disassembling the backrest (Part "Disassembling the backrest" Figure 4 page 5).
2. Fix the headrest horizontal bend on the backrest's arms (Figure 5).
3. Replace the top of the backrest with the fixation's screws and the collars on the screws (Figure 6).
4. Fit the vertical tube on the top of the backrest and on the headrest bend (Figure 7).
(Line weld forward)
5. Tighten all the screws and position the cache-nuts.
6. Fit the removable part of the headrest to the fix part (Figure 8).

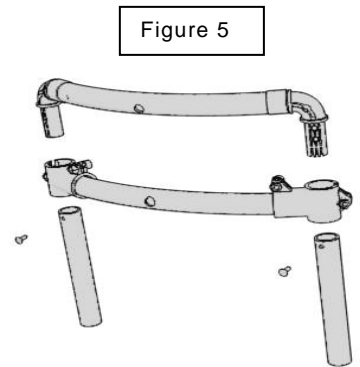


Figure 5

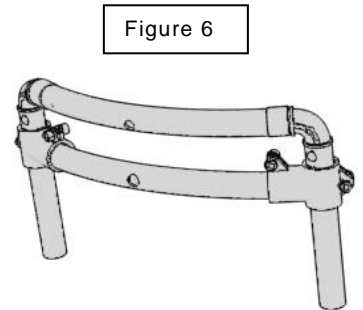


Figure 6

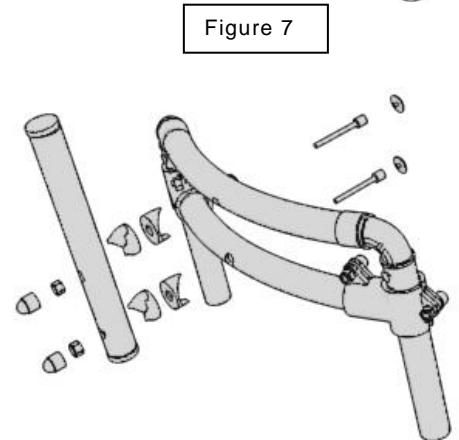


Figure 7

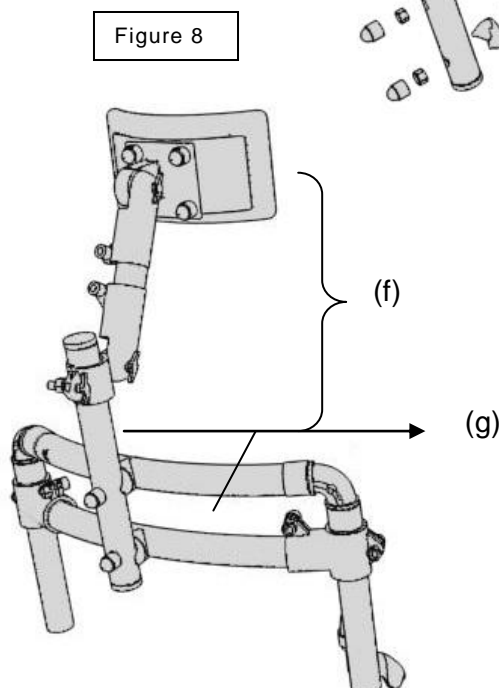


Figure 8

Multi-position adjustment:

Begin by loosening the 3 wing nuts, after positioning the headrest pad in the correct position (in contact with the head). Immediately tighten the wing nuts.

- Lower wing nut: height + rotation adjustment
- Central wing nut: forwards-backwards adjustment
- Upper wing nut: forwards-backwards adjustment

Assembling the Harness

The push bar must already be assembled

Position the harness

1. Place the upper harness straps in the handlebar clasps and fasten them (**figure 8**)
2. Slide the lower harness strap through the loops (for each side)
3. Place the lower straps outside the flanges, between the seat and the frame tube, then pull the strap up after passed it beneath the tube.
4. Slide the strap back through the loop and tighten. (**figure 9**)

Figure 9

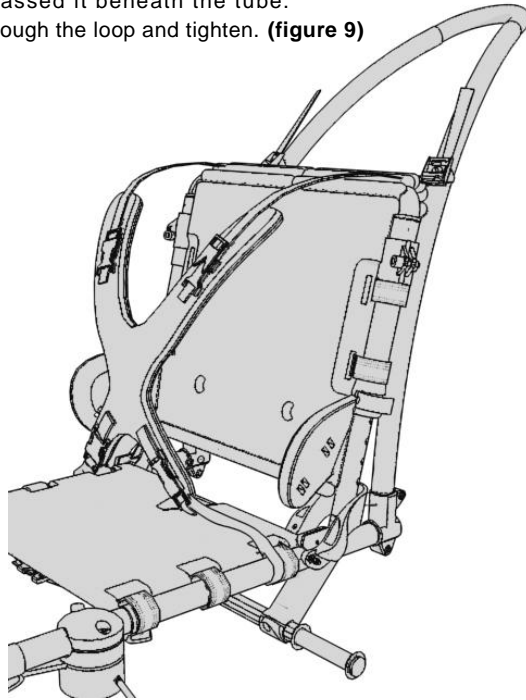
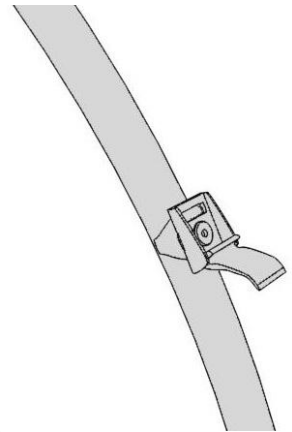


Figure 8



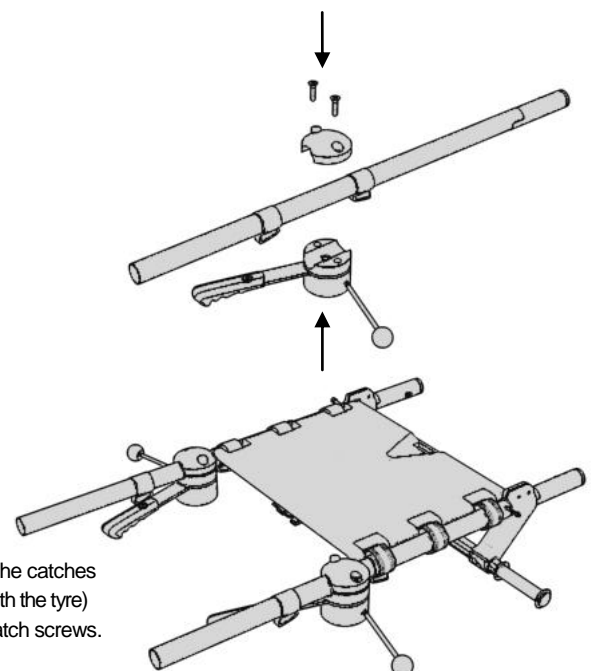
*Adjusting the harness: Pull on the buckles at the ends of the harness straps to tighten them.
Quick removal: unfasten the 4 buckles*

Assembling the brakes

1. Unfasten 2 buckles on the front straps under the seat
2. Position the lower part of the brake block under the tube, 2mm in front of the catch
3. Screw on the upper part of the brake block by tightening the 2 screws alternately.

Important: The tightness between the upper part and the block must be practically the same on both sides. Ensure that the stem is horizontal in relation to the tyre before finishing the tightening

4. Position the brake catches and loosely screw in the tightening screws to be able to adjust the catches
5. Lock the brake by jamming the handle on the catch (the stainless steel stem is then in contact with the tyre)
6. Position the catch by exaggerating the locking of the brake on the wheel and tighten the catch screws.
7. Place the nut protection caps on the screw heads on the upper part of the brake

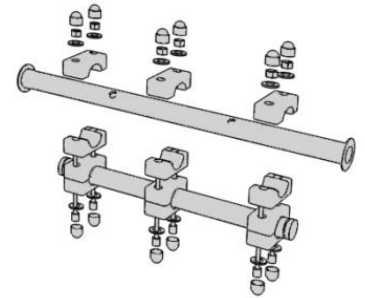


Instructions Large Beach Wheels

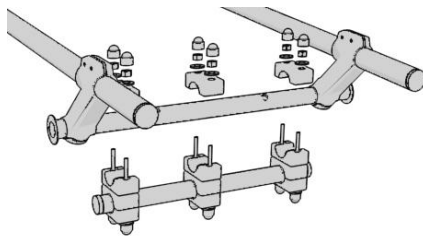
1. Set aside the wheels, the half-axle's wheels, and the plastic spacers.
2. Assembly of the kit

The kit includes:

Designation	Quantity
Knobs to cover the nuts	12
Metal rings	12
Screws	6
Nuts	6
Half collars (size 25)	12
Support axle (bar)	1



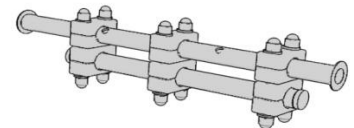
3. After making sure that you have all the parts of the kit, mount the half collars on their respective axes without forgetting the metal rings (picture below):



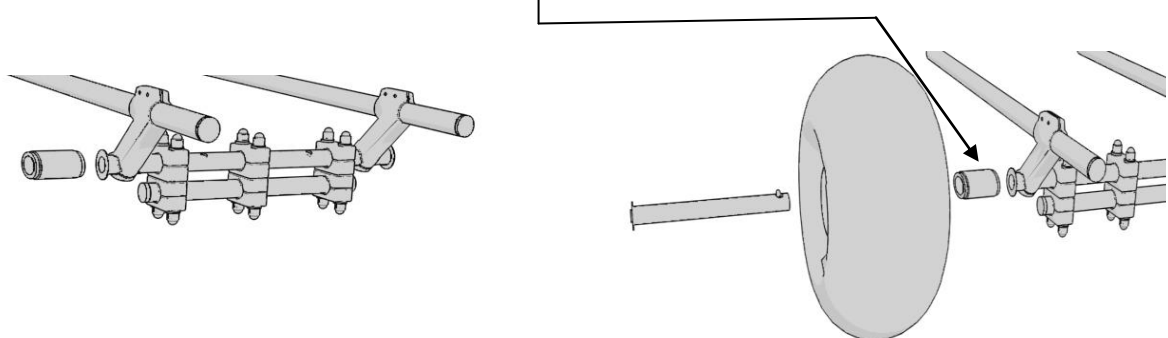
SERIAL NUMBER:

It is on the rear axle of the frame.

4. Before tightening the screws, make sure the chair is straight (not on its side). Ideally, the chair can be place on a table. Make sure the support axle remains parallel to the chair axle
5. Make sure that all 4 half collars (3 sets total) are in contact with each other (see picture). Install the knobs to cover the nuts.



6. Insert the half-axle into the Balloon Wheels, then **the plastic spacer** before to clip the half-axle into the rear axle of the frame.

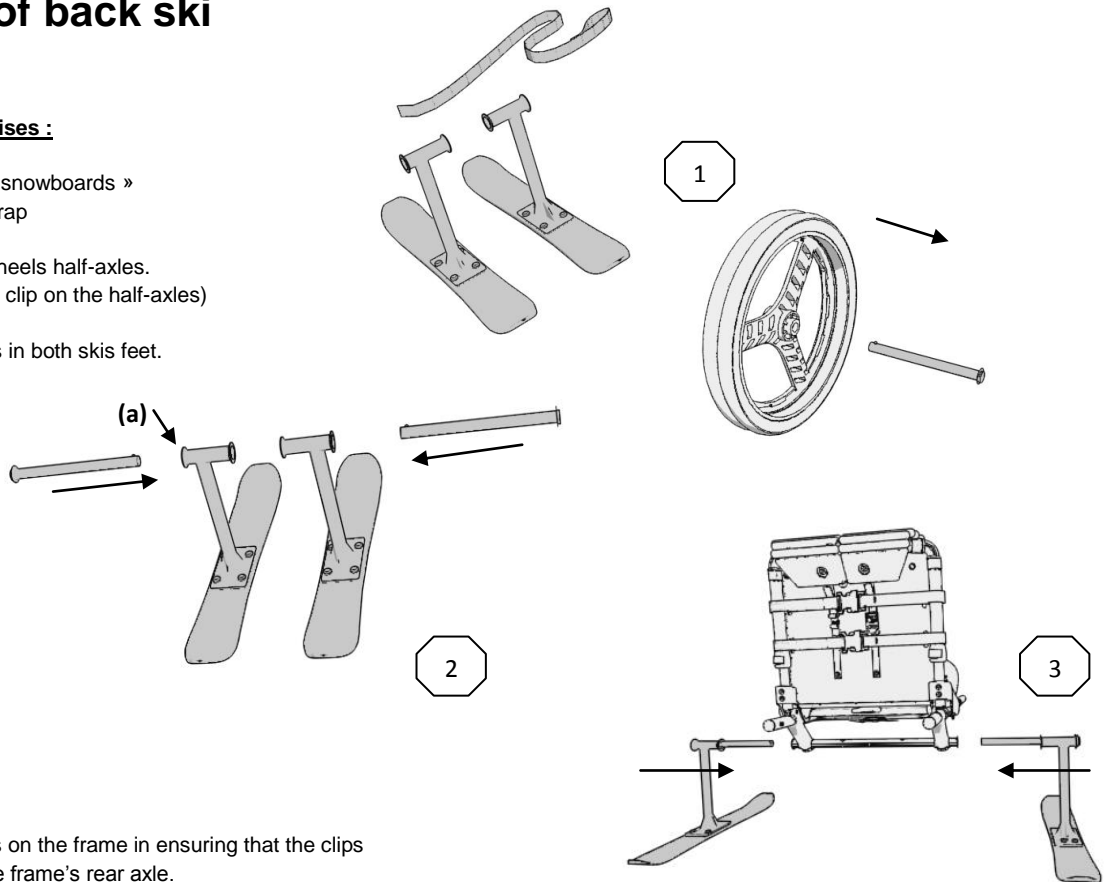


Assembly of back ski

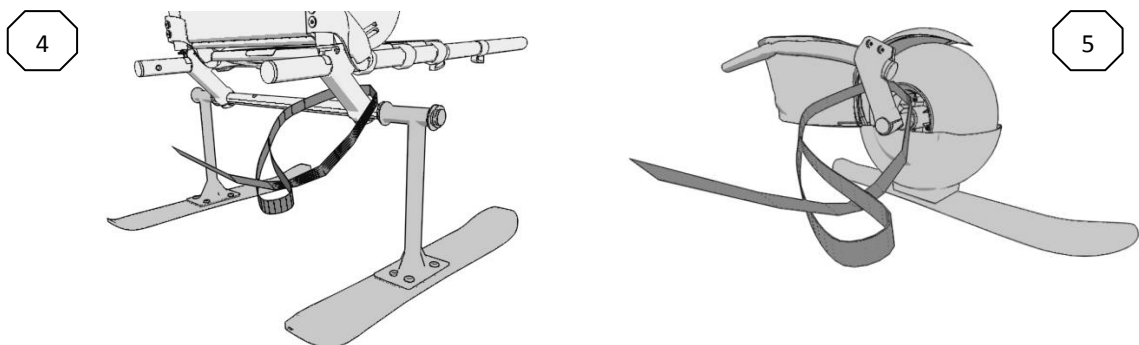
The back ski kit comprises :

- 2 skis « feet + snowboards »
- 1 red safety strap

- 1- Remove the rear wheels half-axes.
(By pressing on the clip on the half-axes)
- 2- Insert the half-axes in both skis feet.



- 3- Insert the half-axes on the frame in ensuring that the clips lock securely on the frame's rear axle.
- 4- Fasten the red safety strap on one of the back gallows of the frame when a helper pushes the Hippocampe with the push bar, or on one of the front gallows when a helper pulls the Hippocampe with the towrope.



- 5- The helper must put the strap on her wrist for each use.

Use of the Hippocampe with 3 skis kit

- Use the Hippocampe on ski slopes or on luge tracks is prohibited.
- It is imperative to use the Hippocampe equipped of the 3 skis kit with a helper who has the capacity to hold the Hippocampe with his user and to maintain the security strap.
- It is imperative that the helper maintains the security strap on wrist: it must be fastened laterally on the gallows of the frame, or on one of the front gallows when the Hippocampe is pulled.
- Do not go on snowy slopes higher than 10%.
- Wearing a helmet is also recommended.

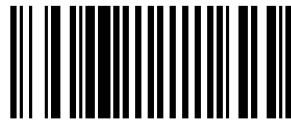


VIPAMAT

3 rue Gustave Eiffel
56 270 PLOEMEUR – France

Tel : +33 (0)2 97 86 24 87
Fax : +33(0)2 97 86 73 81

Email : contact@vipamat.com
www.vipamat.com



SARL au capital de 40 000€ - Siret 44242884300035 – Code APE 3092 Z



Distributed in Australia by:

GMS
REHABILITATION

48 Commercial Drive,
Lynbrook VIC 3975
Ph : 1300 734 223
sales@gmsrehab.com.au
www.gmsrehab.com.au